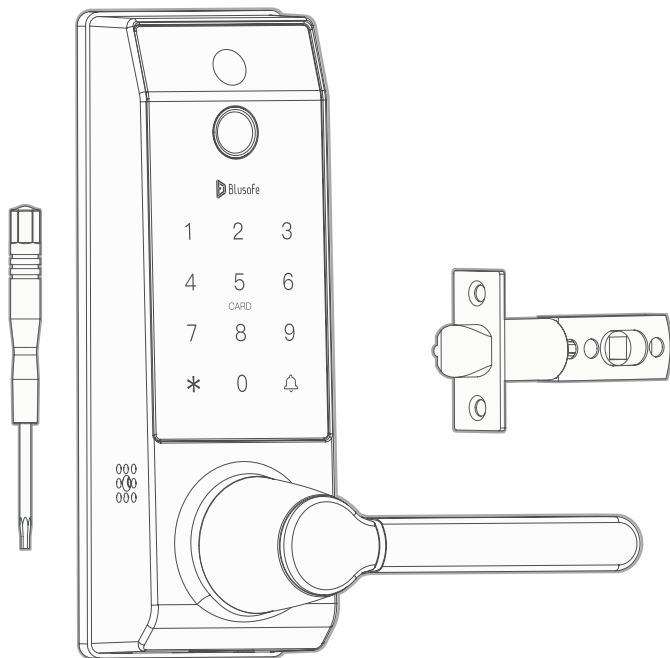


# Blusafe Contour / Contour V Installation Manual

v2023.1



Do you know we offer  
professiona installation  
service?  
Please scan the QR to find  
your local installer



# Contents

<b>0. Tools Required</b>	<b>P0</b>
<b>1. Package Contents</b>	<b>P1</b>
<b>2. Latch Installation Guide</b>	<b>P2</b>
<b>3. Blusafe Contour Smart Lock</b>	<b>P4</b>
<b>4. Determine Handle Direction</b>	<b>P5</b>
<b>5. Change External Handle Direction</b>	<b>P6</b>
<b>6. Change Internal Handle Direction</b>	<b>P7</b>
<b>7. Installation of Blusafe Contour Smart Lock</b>	<b>P8</b>

## Tools Required



Pliers



Hammer



Chisel



Measuring Tape



Pencil



Drill Bits

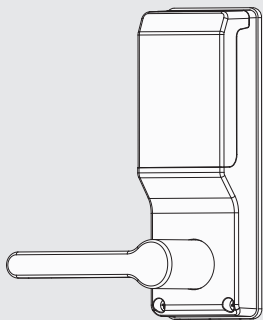


Drill



Screwdriver

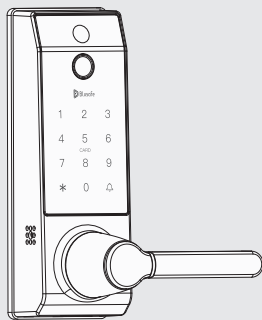
# Package Contents



Internal Panel



Mounting Plate



External Panel



A - ST 3.9 x 20mm Self-tapping Screw x 4



B1- M4 x 35mm Screw x 4



B2- M4 x 50mm Screw x 4



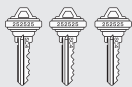
C - Screw Pillar x 1



D - ST 3.9 x 16mm Self-tapping Screw x 1



E- Screwdriver x 1



F- Key x 3



G - Keycard x 2



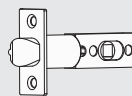
H- M4 x 10mm Screw x 4



Strike Plate



Strike Box

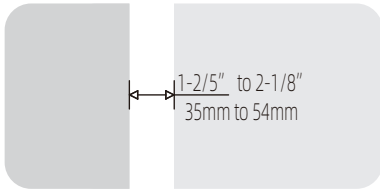


Latch

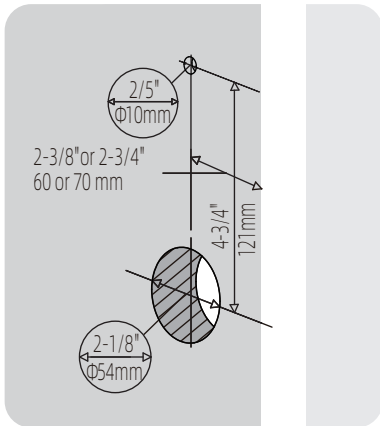
## 10.6070.5525 Latch Installation Guide

The following latch installation guide is designed for new doors that do not already have holes for the lock or latch. If your door already has the required holes to install the latch and lock, you may skip the steps below and continue to P04.

### Drill Lockset and Latch Holes



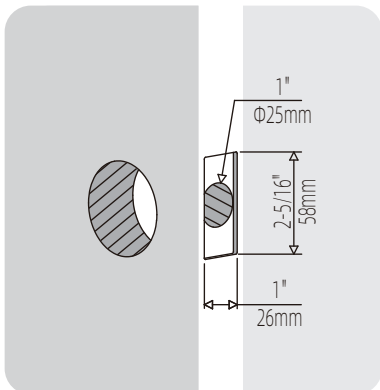
- ① The Contour handle is suitable to use on door thickness between 1-2/5" and 2-1/8" (35 and 54mm).



- ② Use the template guide to mark the holes in door at required heights (suggested height for Φ54mm hole centreline is 38" or 970mm from the base of door). Drill out a 2-1/8" (Φ54mm) and a 2/5" (Φ10mm) hole.

#### Note

It is suggested to drill both holes in door in order to have a better installation of the lock. If you choose not to drill the 2/5" (Φ10mm) hole, the C Screw Pillar will not be used in the "Installation of Contour Smart Lock".

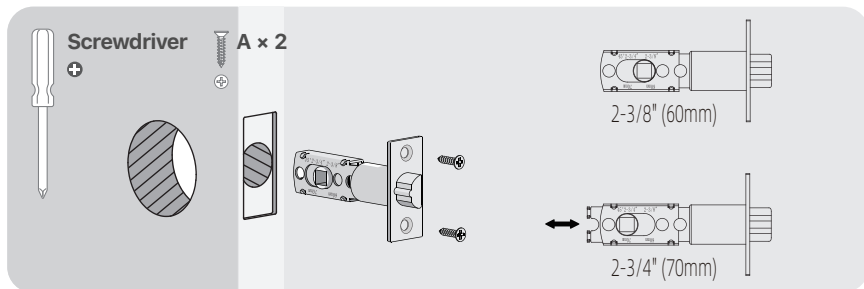


- ③ Fold the template guide along the edge of the door and splice it over the 2-1/8" (54mm) diameter hole. Mark the 1" (25mm) diameter hole in the edge of the door for the latch. Drill out the 1" (25mm) diameter latch hole. Chisel out the remainder of the slot on the edge of the door to accept the latch body. This is a rectangle 1" x 2-1/4" (26mm x 58mm) as shown above. The depth must be 1/8" (3mm) to accept the latch body. Please test the fit of the latch body to ensure a good fit before installing.

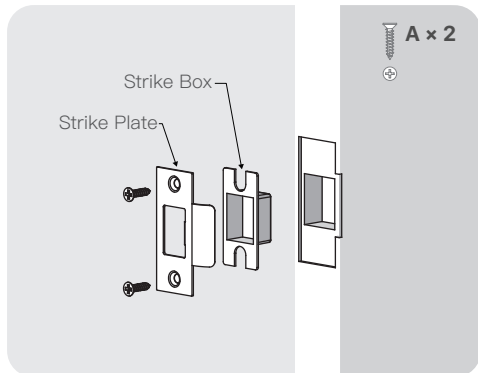
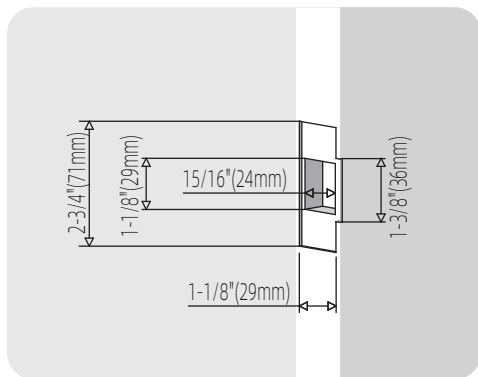
## Latch Installation Guide

### Install the Latch

Adjust the length of the latch according to backset (2-3/8" (60mm) or 2-3/4" (70mm)). Fix two self-tapping screws to the latch plate.

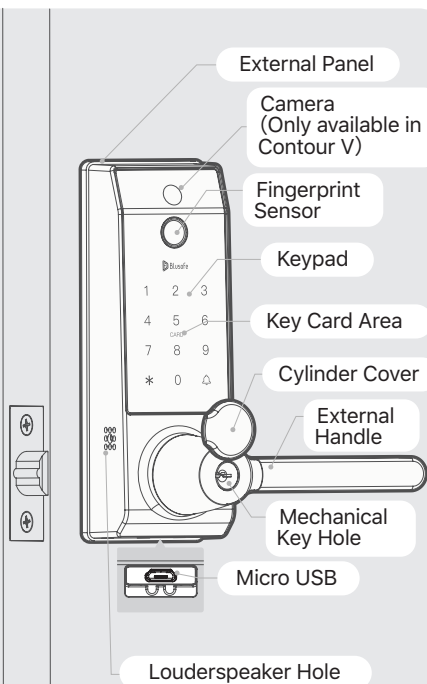
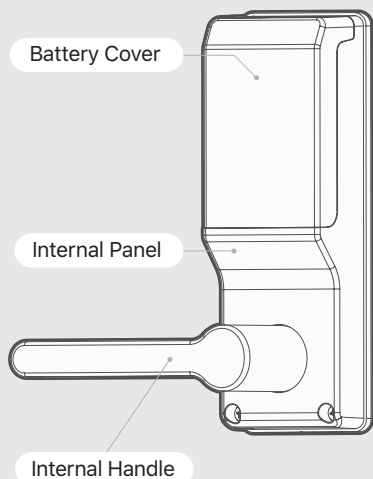


### Install Strike Plate and Box

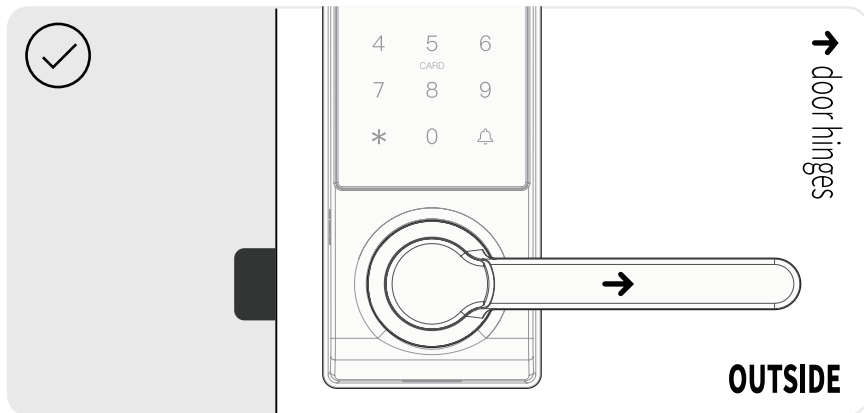
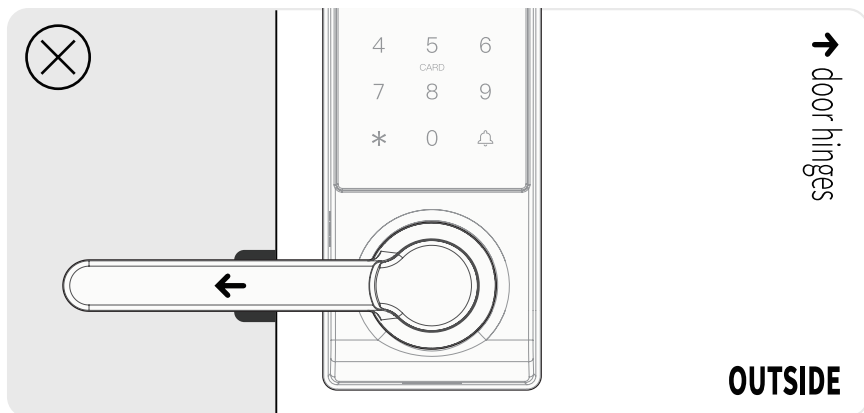


- ① With the latch installed, extend it and gently close it against the door frame. Mark on the frame the top and bottom of the latch.
- ② Mark a centre line on the jamb for the strike plate. Ensure this centreline allows the door enough space to close against the stop.
- ③ Place the strike plate on the jamb aligning the marks from the latch to the bolt hole. Also ensure the strike plate is centred on the marked centerline. Scribe around the outer edge of the strike plate with a pencil and chisel within the scribed area to a depth of 1/12" (2mm).
- ④ Place the strike plate in the recessed hole and mark the hole for the latch.
- ⑤ Chisel the hole out to a depth of 1" (25mm) to allow the latch to extend and move freely.
- ⑥ Insert the strike box and strike plate into the hole. Screw in the strike plate as shown.

## Blusafe Contour Smart Lock



## Determine Handle Direction

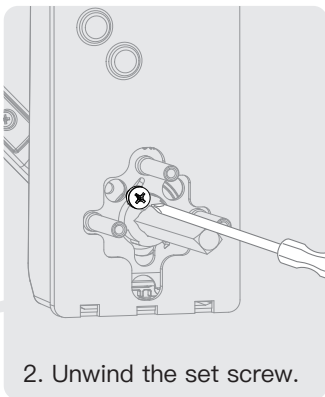
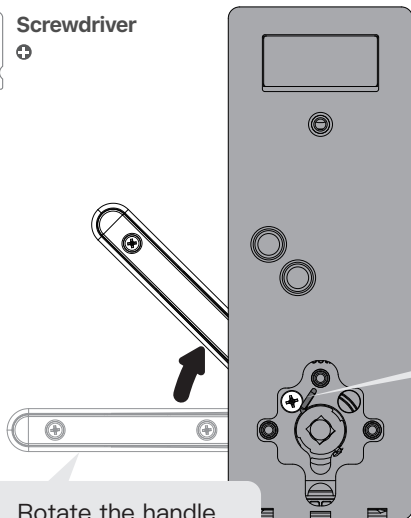
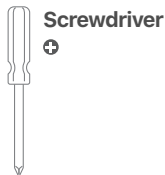


Depending on which way your door opens, determine which way the handles need to face.

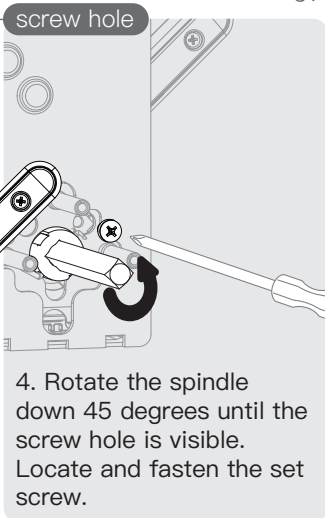
The handles should always point towards the door hinges. Check the Contour/Contour V handles against the current handles.

If the handles need to face the other way, please see next page.

## Change External Handle Direction



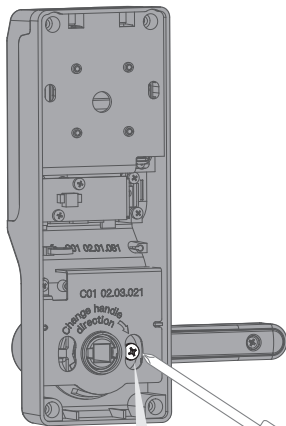
door hinges





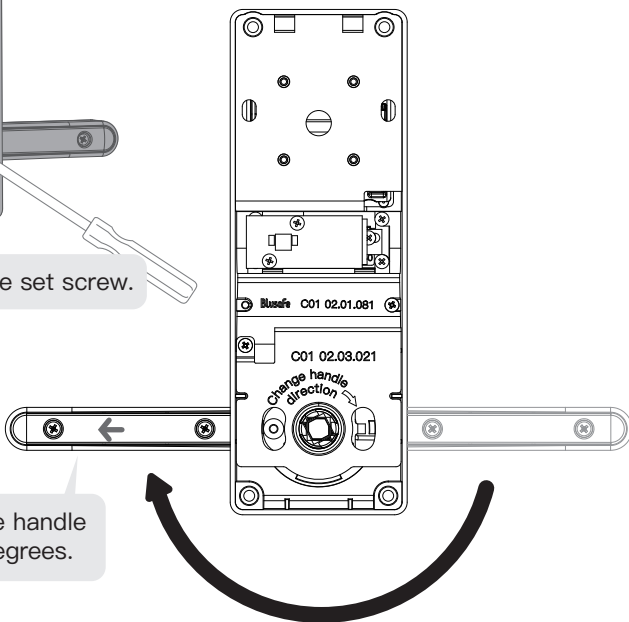
## Change Internal Handle Direction

Screwdriver

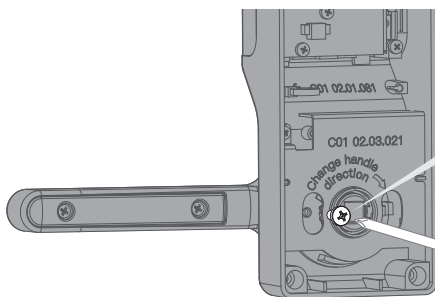


1. Unwind the set screw.

← door hinges



2. Rotate the handle down 180 degrees.



3. Locate and fasten the set screw.

## Installation of Blusafe Contour Smart Lock



Measuring tape

Door Thickness/mm

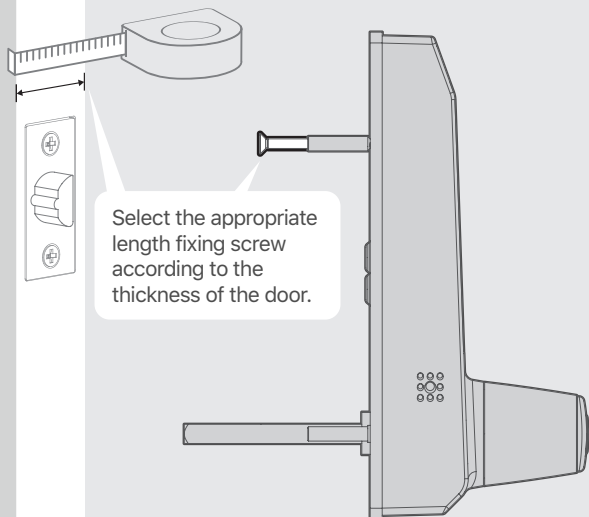
Screw B Length

1-<sup>2</sup>/<sub>5</sub>" to 1-<sup>4</sup>/<sub>5</sub>" (35-45mm)

M4x35mm 

1-<sup>4</sup>/<sub>5</sub>" to 2-<sup>1</sup>/<sub>8</sub>" (45-54mm)

M4x50mm 



Please make sure the latch is installed properly as per the "Latch Installation Guide" prior to the following installation steps:

- ① Measure the thickness of the door.
- ② Please select the appropriate screws based on the door thickness. You can refer to the above table for reference.

## Installation of Blusafe Contour Smart Lock



Pliers



C x 1

### Tip

Please peel off the skin and use the 3M tape at the back of external panel to reinforce the mounting.

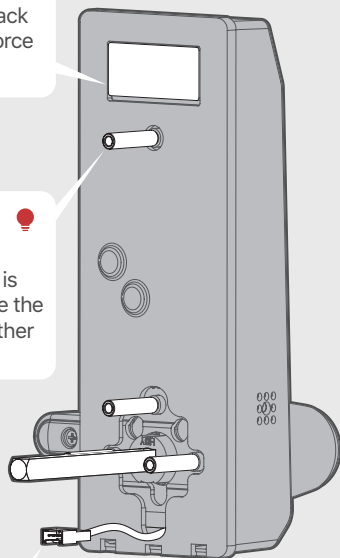


### Warning!

The C Screw Pillar must be used if the smart lock is exposed to rain, to ensure the best installation and weather seal.



Make sure the cable goes through the bottom of hole.



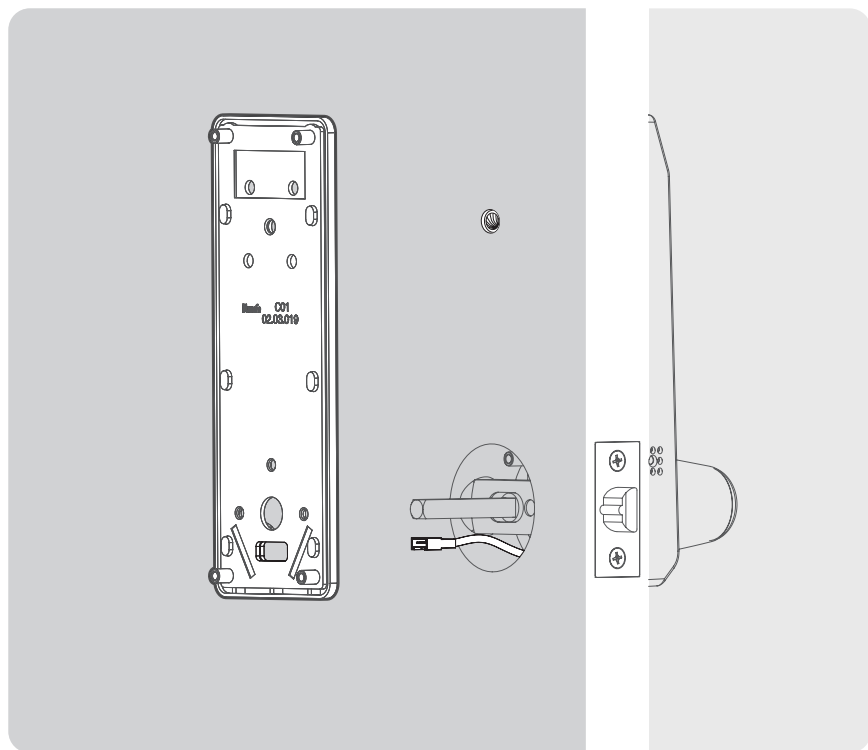
- ③ Tighten the C Screw Pillar on the back of the external panel.
- ④ Pass the external panel cable through the bottom of the hole. Insert the spindle through the spindle hole of the latch. Carefully push the outer panel towards the door, and make sure the C Screw Pillar feed through the upper hole of the door.

### Tip

Please use the 3M tape at the back of external panel to reinforce the mounting.

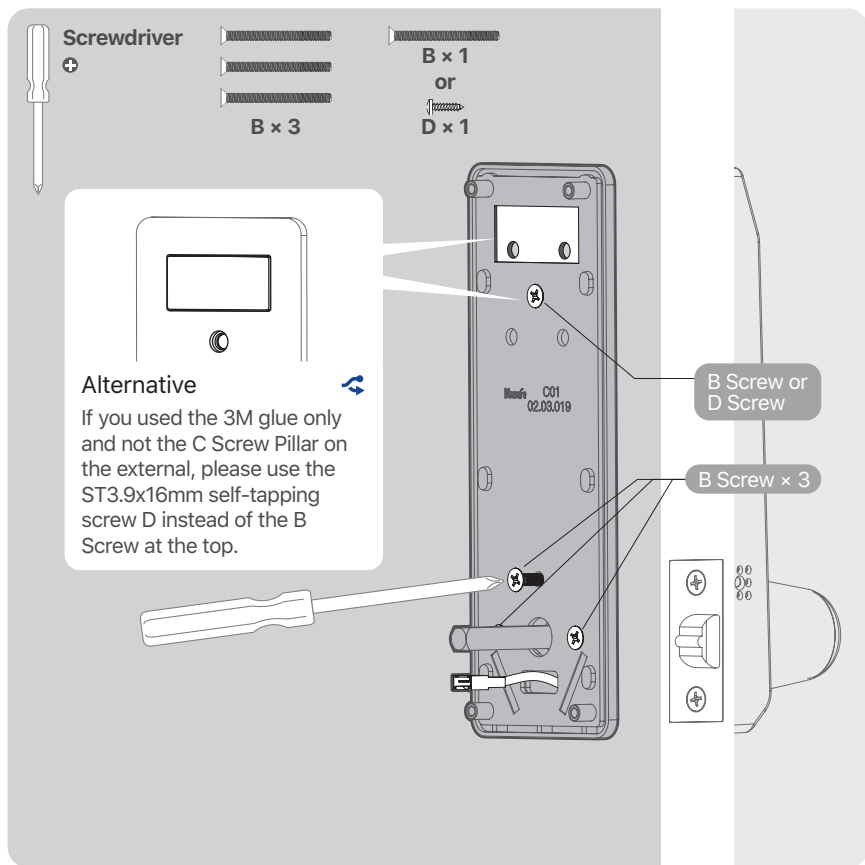


## Installation of Blusafe Contour Smart Lock



⑤ Pull the cable through the slot of the mounting plate.

## Installation of Blusafe Contour Smart Lock



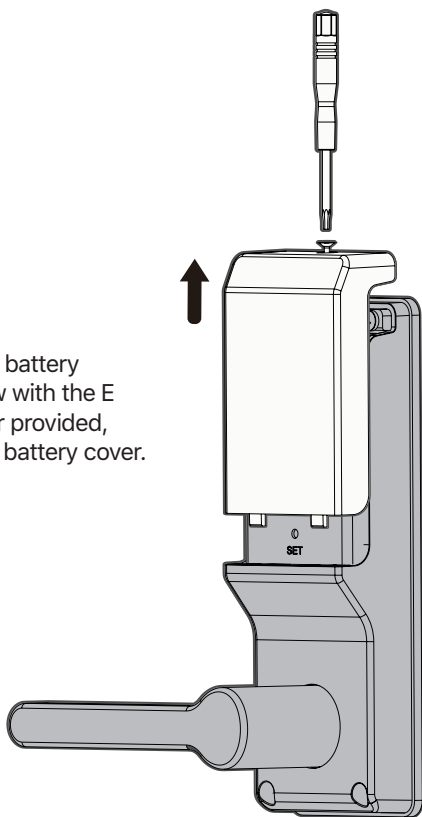
- ⑥ Insert the screws, but **DO NOT** fully tighten them. Adjust the external panel to the correct position and then proceed to tighten the screws.

## Installation of Blusafe Contour Smart Lock

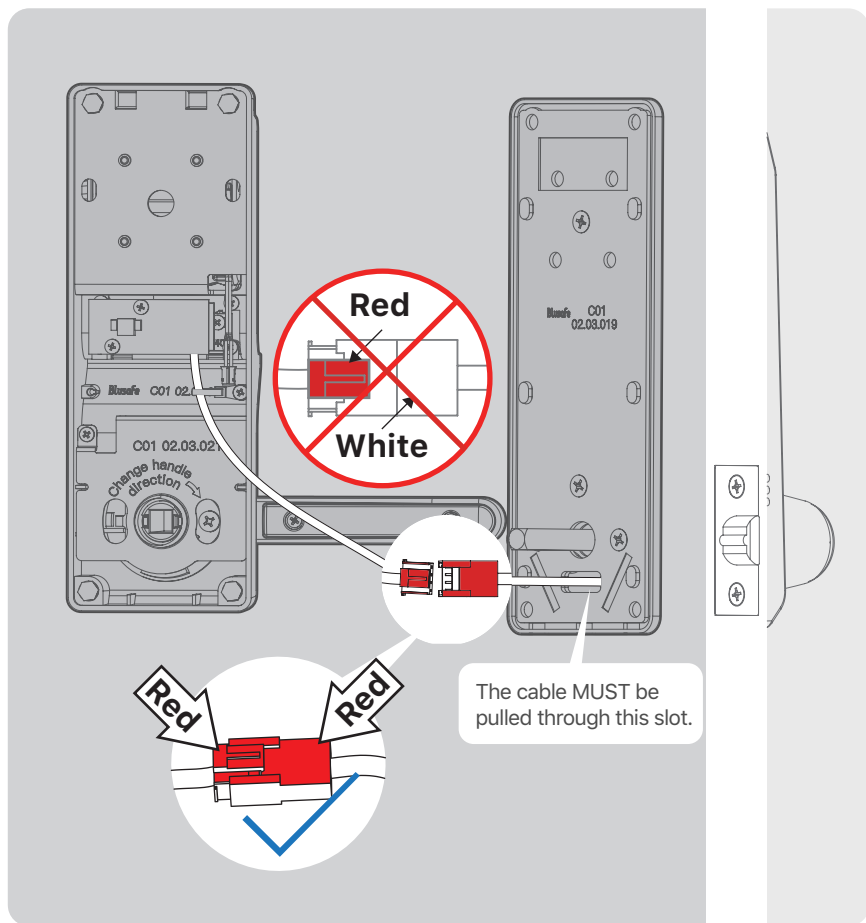


E x 1

- ⑦ Unwind the battery cover screw with the E Screwdriver provided, remove the battery cover.



## Installation of Blusafe Contour Smart Lock



Ⓢ Connect the external and internal cables together.

### Warning!



Please make sure the cables are connected in the correct orientation otherwise will cause permanent damage to the lock!

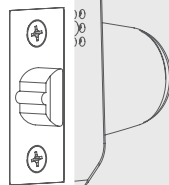
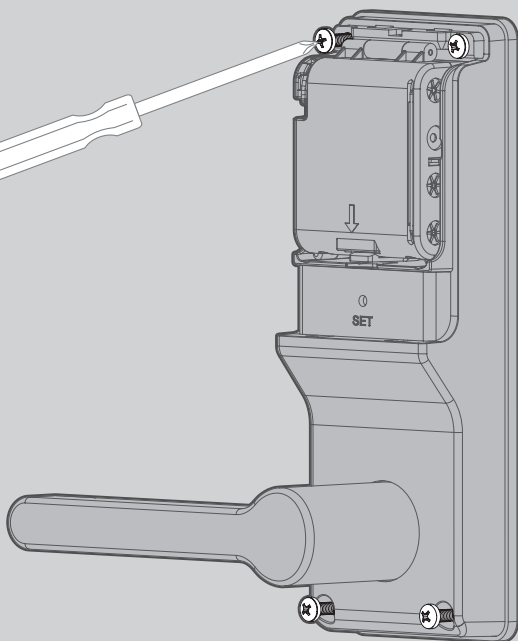
## Installation of Blusafe Contour Smart Lock



Screwdriver



Four screws of varying lengths, with the longest one labeled 'H x 4'.

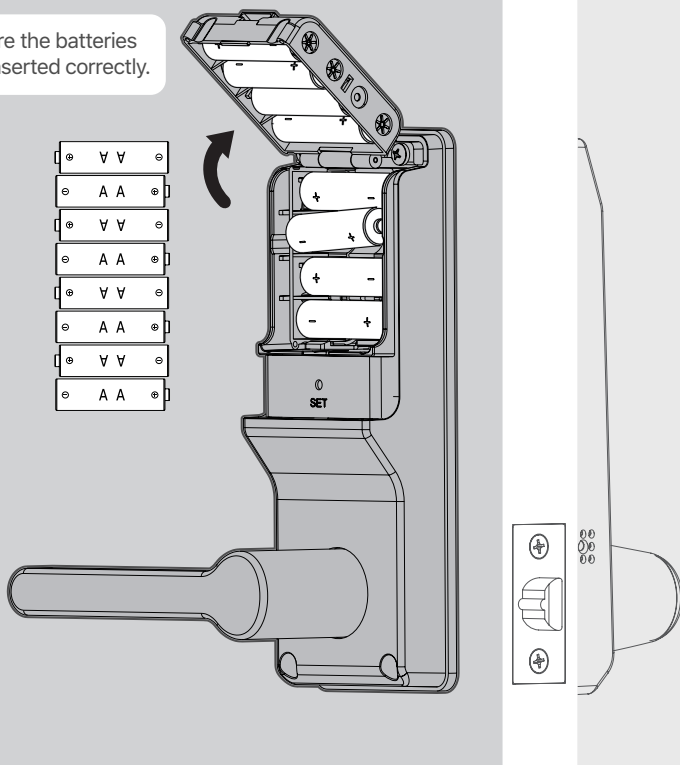


- Ⓢ Buckle the internal plate onto the mounting plate. Fix the H Screws with a screwdriver.



## Installation of Blusafe Contour Smart Lock

Ensure the batteries are inserted correctly.



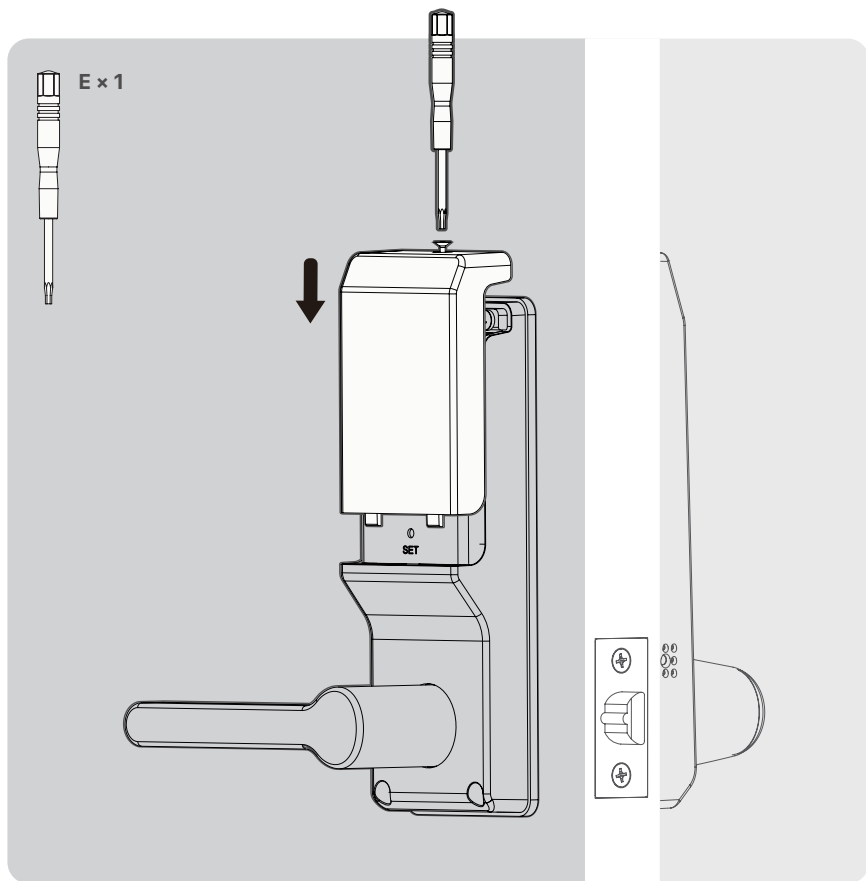
- ⑩ Rotate the handle to ensure the latch can be extended and retracted freely. Stand inside, close the door and repeat the rotation of the handle. Ensure the latch can still be extended and retracted freely. If not, you may need to adjust the positioning of the latch on the door.
- ⑪ Open the battery cassette. Insert 8 AA batteries as shown above.

### Note



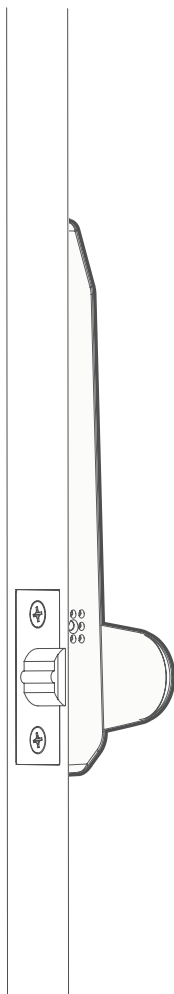
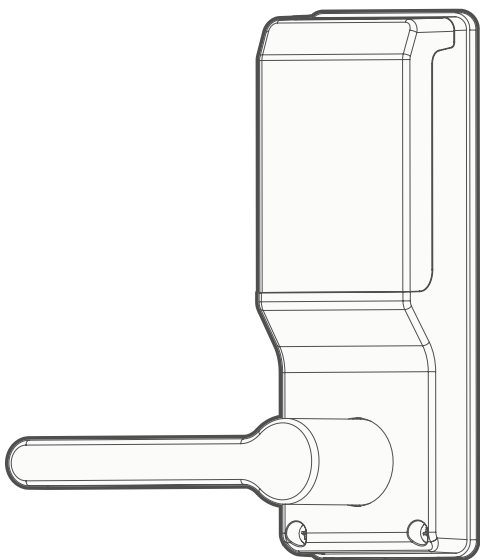
For the best possible experience, please use high quality AA batteries in your Smart Lock. The batteries will last 6-8 months depending on usage and environment; however, we recommend that you change the batteries every six months or when notified in your App.

## Installation of Blusafe Contour Smart Lock



- ⑫ Put on the battery cover, fix the screw with the E Screwdriver.

Security at your fingertips — Blusafe



Please scan the QR to  
get the newest manuals  
on Blusafe products



Find out more about  
Blusafe vulnerability  
discovery & disclosure  
procedures