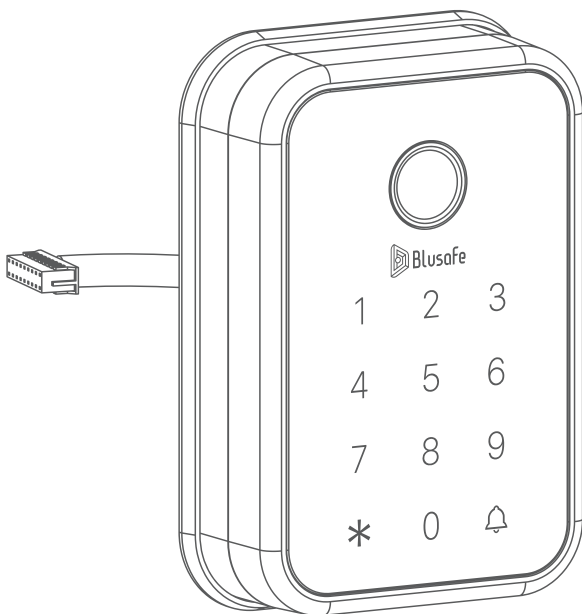


Blusafe Cloud S Installation

v2023.2



Do you know we offer
professiona installation
service?

Please scan the QR to find
your local installer



Security at your fingertips — Blusafe

Installation Manual Contents

0. Tools Required	P01
1. Package Contents	P02
2. Bolt Installation Guide	P03
3. Blusafe Cloud S Smart Lock	P06
4. Installation of Blusafe Cloud S Smart Lock	P07

Tools Required



Pliers



Hammer



Chisel



Tape Measure



Pencil



Drill Bits

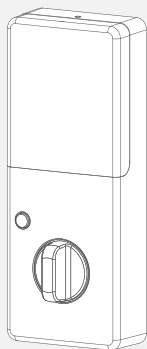


Drill

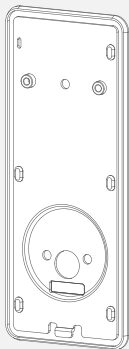


Screwdriver

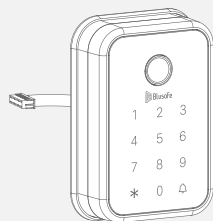
Package Contents



Internal Panel



Mounting Plate



External Panel



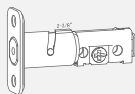
Strike Plate



Bolt Box



A-ST 3.9X16mm Self
Tapping Screw x 5



Bolt



B1-M4X20mm Screw x 2
B2-M4X25mm Screw x 2



F-Key x 3



C-Screw Pillar x 2



D-M4X7mm Screw x 2



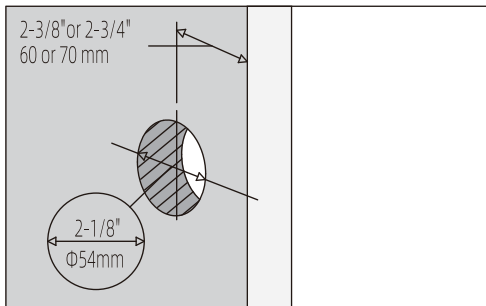
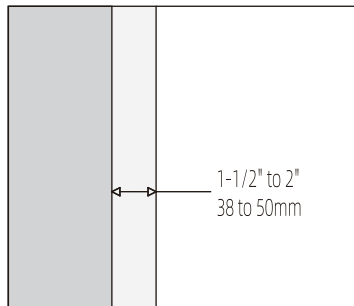
Pin

10.6070.5525

Bolt Installation Guide

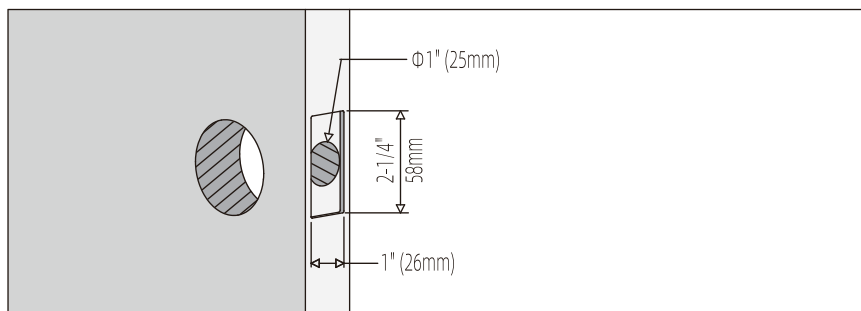
The below bolt installation guide is meant for new doors that do not already have holes for the lock or bolt. If your door already has the required holes to install the bolt and lock, you may skip the below steps and proceed to P06.

Drill Lockset and Bolt Holes



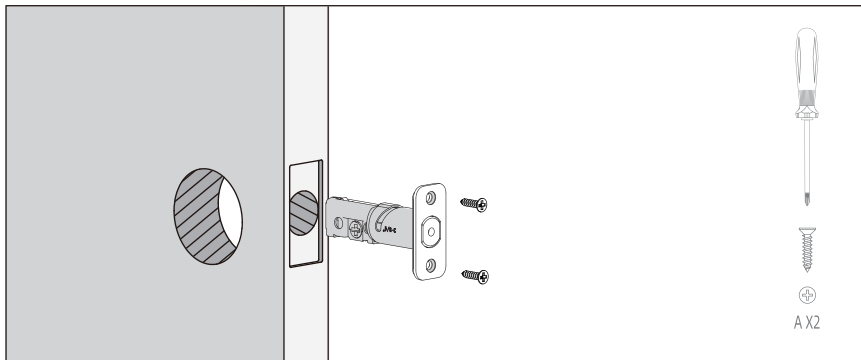
1. The Cloud Smart handle is suitable to use on door thickness between 1 1/2" (38mm) and 2" (50mm)

2. Use the template guide to mark a hole on the door at the required height (the suggested height for the centerline of the hole is 38 3/16" (970mm) from the base of the floor. Drill out a 2 1/8" (54mm) diameter hole.



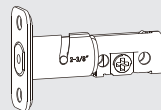
3. Fold the template guide along the edge of the door and position it over the 2 1/8" (54mm) diameter hole. Mark the 1" (25mm) diameter hole on the edge of the door for the bolt. Drill out the 1" (25mm) diameter bolt hole. Chisel out the remainder of the slot on the edge of the door to accept the bolt body. This is a rectangle 1" x 2 1/4" (26mm x 58mm) as shown above. The depth should be 1/8" (3mm) to accept the bolt body. Please test fit the bolt body to ensure a good fit before installing.

Install Latch/Bolt

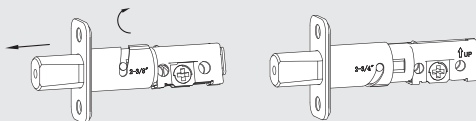


Adjust the bolt length according to the backset of the hole for the locking mechanism. The bolt hole for the drive bar needs to be centered in the $2\frac{1}{8}$ " (54mm) hole for the lock's drive bar to go through. Once centered, place the bolt plate to the door as shown above and screw fix it.

$2\frac{3}{8}$ " (60mm)

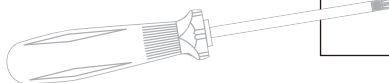
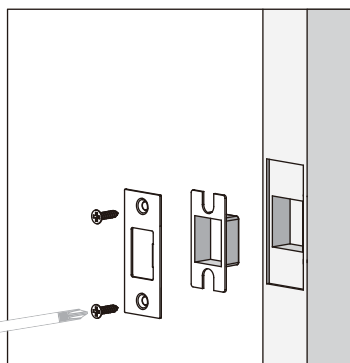
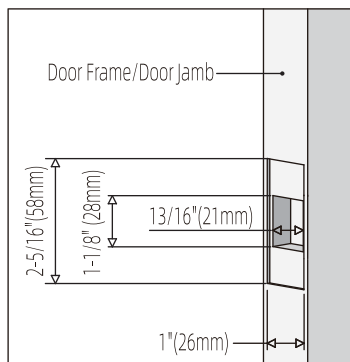


$2\frac{3}{4}$ " (70mm)

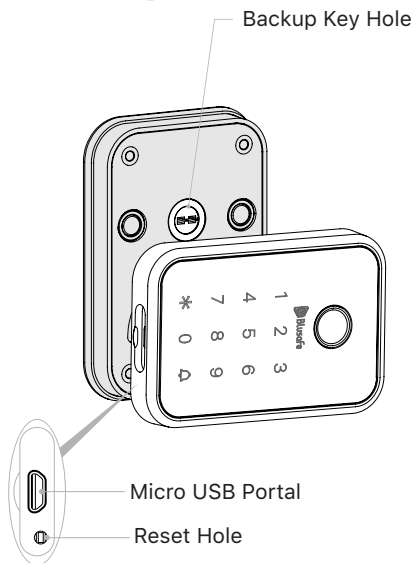
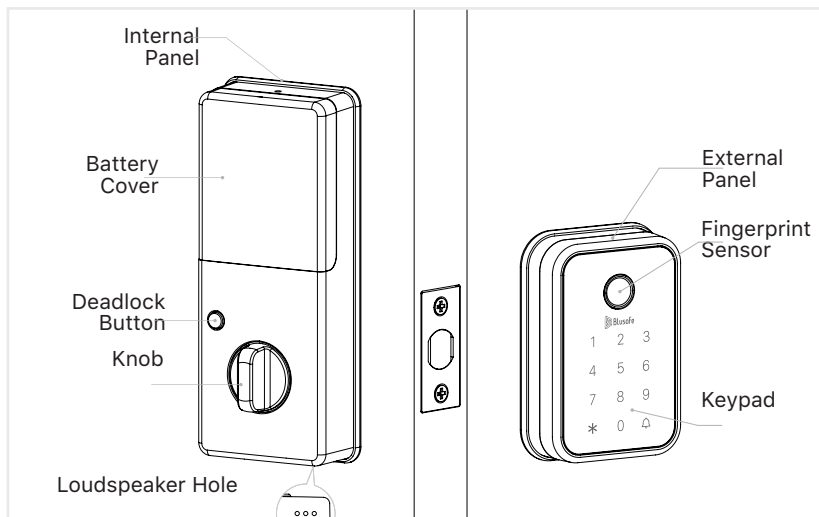


Install Strike Plate

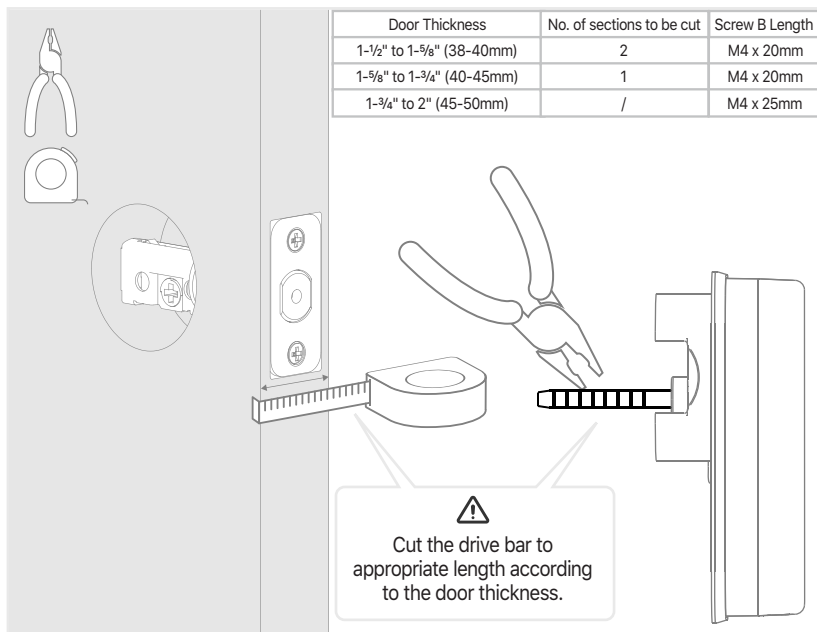
1. With the bolt installed, extend the bolt and gently close the door against the door jamb. Mark the locations where the top and bottom of the bolt meet the door jamb.
2. Mark a center line down the door jamb for the strike plate. Ensure the centerline allows enough space for the door to close against the door stop.
3. Place the strike plate on the door jamb, aligning the marks you made from where the bolt meets it to the hole for the bolt. Ensure the strike plate is centered on the centerline mark. Scribe around the outer edge of the strike plate with a pencil, and chisel within the scribed area to a depth of $\frac{1}{8}$ " (2mm).
4. Insert the strike plate into the recessed hole and mark the hole for the bolt.
5. Chisel the hole out to a depth of 1" (25mm) to allow the bolt to extend and move freely.
6. Insert the bolt box and strike plate into the hole. Screw in the strike plate as shown.



Blusafe Cloud S Smart Lock



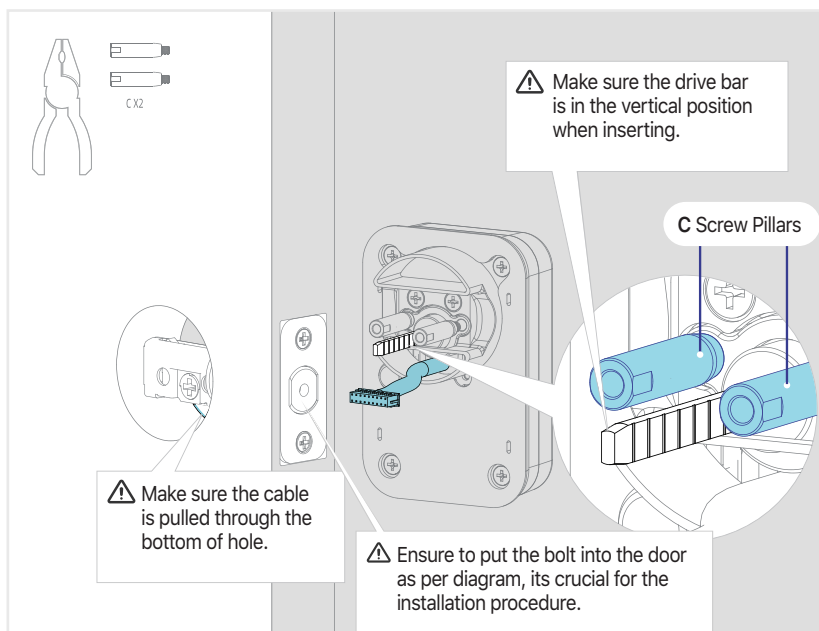
Installation of Blusafe Cloud S Smart Lock



Please make sure the bolt is installed properly as per the "Bolt Installation Guide" on P03 prior to the following installation steps:

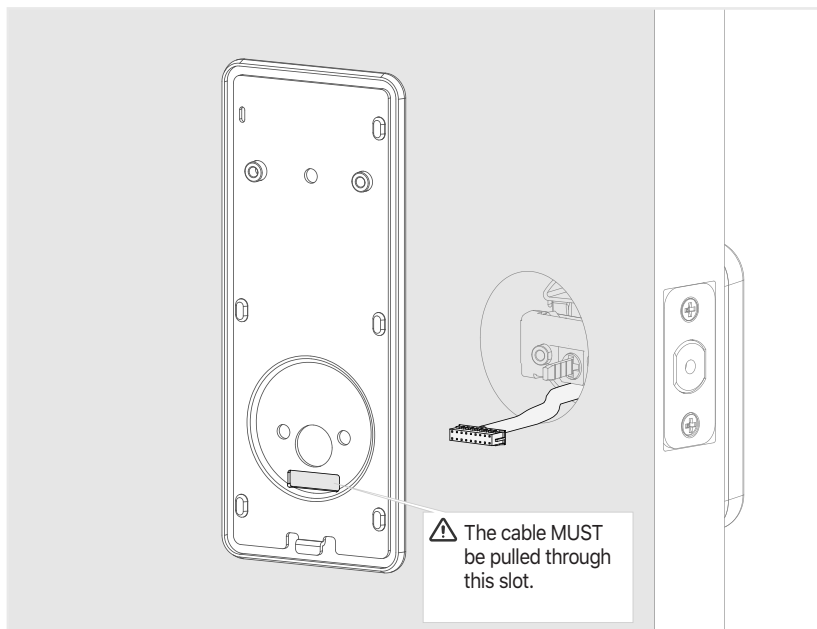
1. Measure the door thickness.
2. Cut the drive bar to the appropriate length according to the door thickness. Please see above graphic for reference.
3. Please select the appropriate screws based on the door thickness. You can refer to the above table for reference.

Installation of Blusafe Cloud S Smart Lock



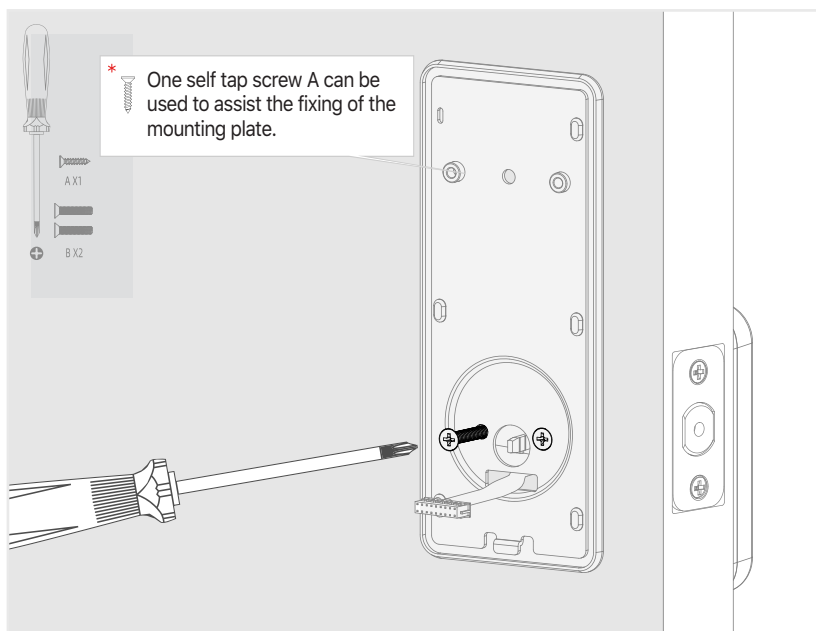
1. Tighten the "C screw pillars" onto the back of the external panel.
2. Pull the cable of the external panel through the bottom of the hole. Ensure the bolt is retracted (as per diagram). Insert the drive bar into the "+" slot of the body; ensure the drive bar is in the vertical position (as per diagram). Push the external panel carefully into the door.

Installation of Blusafe Cloud S Smart Lock



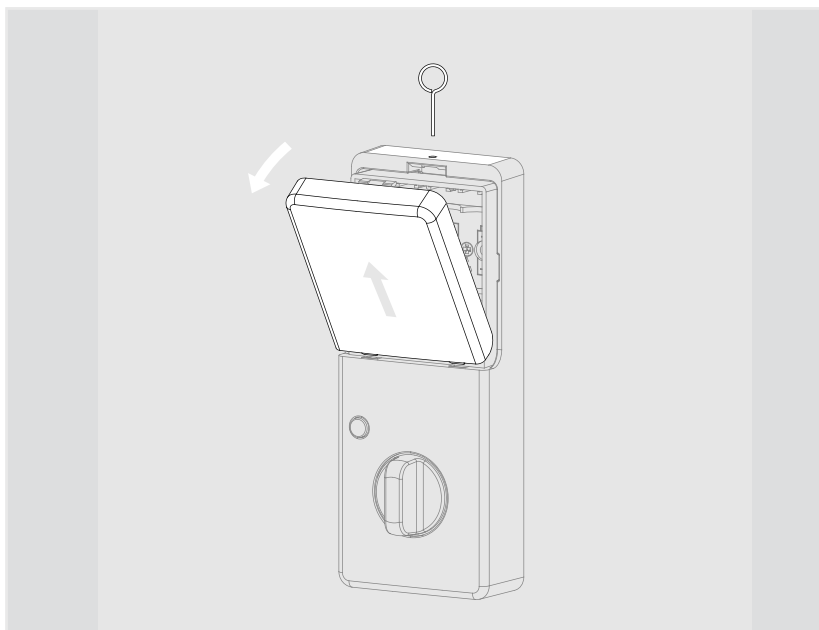
3. Pull the cable through the slot of the mounting plate.

Installation of Blusafe Cloud S Smart Lock



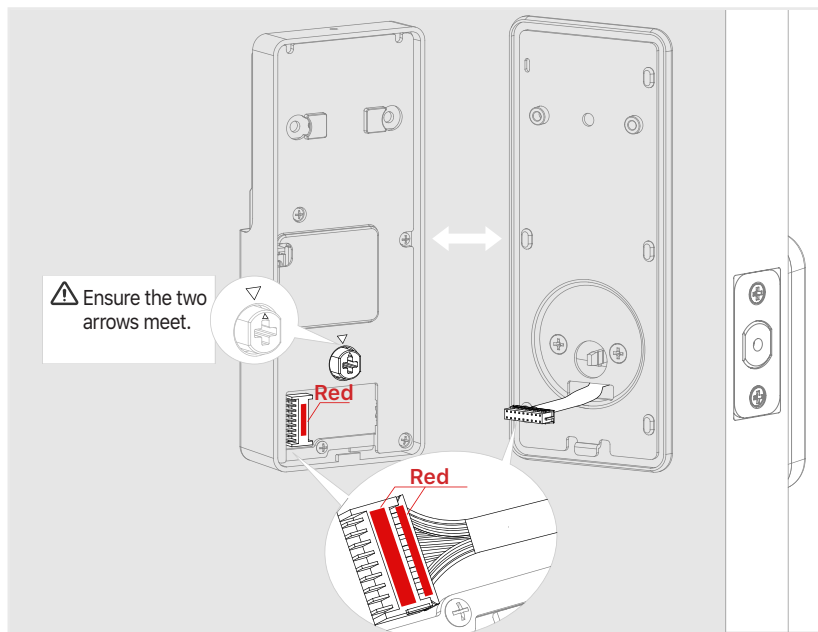
4. Drive the screws in but do NOT tighten them all the way. Adjust the external panel to the correct position and then proceed to tighten the screws.

Installation of Blusafe Cloud S Smart Lock



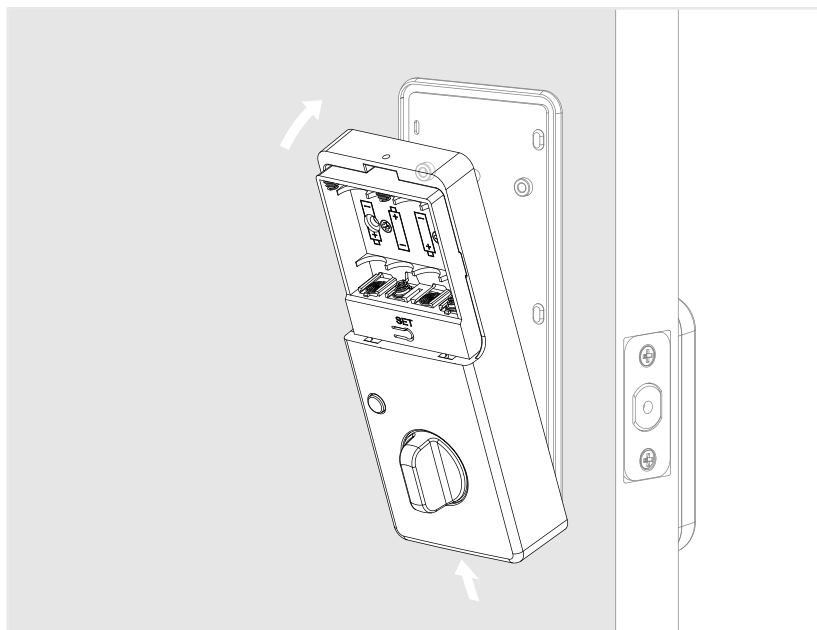
5. Insert the pin into the hole at the top of the internal panel.
Push the pin down to open the battery cover.

Installation of Blusafe Cloud S Smart Lock



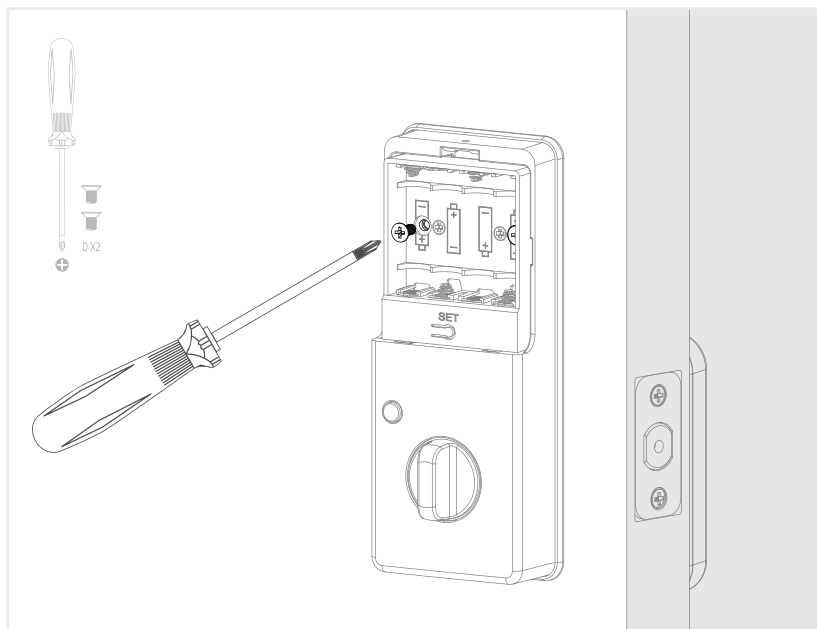
6. Insert the cable into allocated slot on the internal panel. Ensure the red faces of the cable connector and slot are met.

Installation of Blusafe Cloud S Smart Lock



7. Hook the internal panel onto the mounting plate to connect.

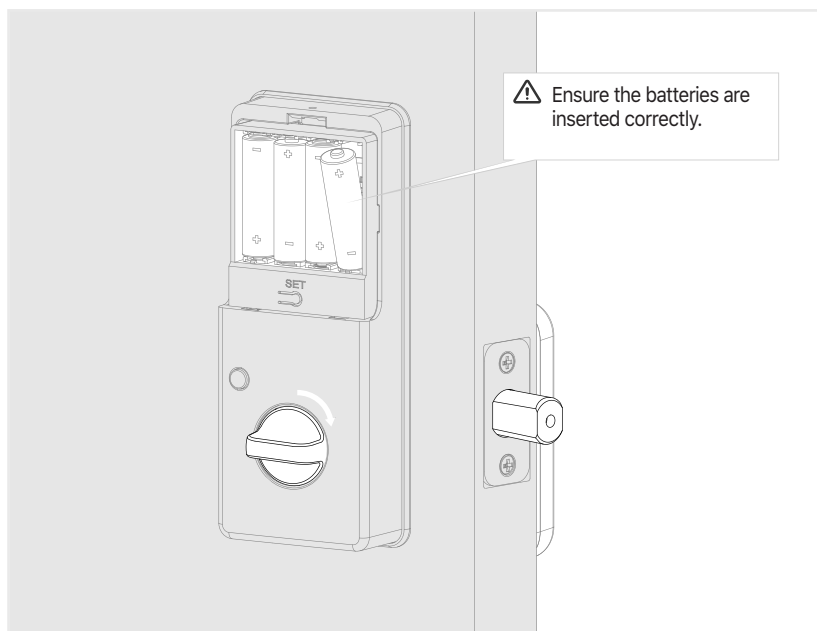
Installation of Blusafe Cloud S Smart Lock



8. Fix the D screws with a screw driver.

Note: Please fasten the screws to sit flush with the inner face of the battery cassette. Protrusion of the screws may cause damage to the batteries.

Installation of Blusafe Cloud S Smart Lock



9. Rotate the knob to ensure the bolt can be extended and retracted freely.

Stand inside, close the door and repeat the rotation of knob. Ensure the bolt can still be extended and retracted freely. If not, you may need to adjust the positioning of the bolt in the door. Insert 4 AA batteries as shown above.

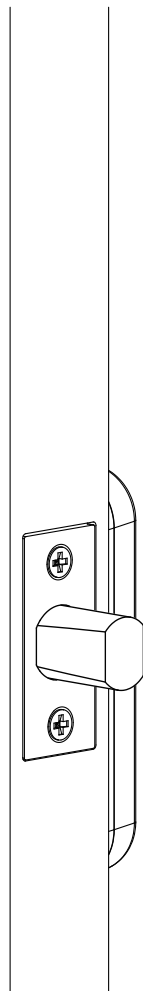
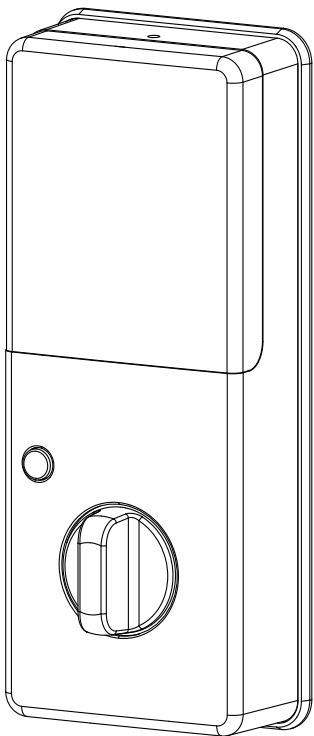
Note 1: Ensure the bolt is retracted once tested.

Note 2: For the best experience possible, please use high quality AA batteries in your Smart Lock. The batteries will last for 6-8 months depending on usage and environment; however, recommend you change the batteries every six months or when notified to do so in your App.

Installation of Blusafe Cloud S Smart Lock



10. Put on the battery cover.



Please scan the QR to
get the newest manuals
on Blusafe products



Find out more about
Blusafe vulnerability
discovery & disclosure
procedures